



96 x 96mm

### FEATURES

- 3 Phase(True RMS) voltage
- Auto Scrolling

### Display Specifications

Display	: 3 rows, 7 segments LED Display
Digits	: 4 digits

### Input Specifications

Electrical Connection	: 3Phase-4Wire
Input Voltage Range	: 11 to 300V AC (Phase to Neutral) 19 to 519V AC (Phase to Phase)
Frequency	: 45 to 65Hz
Display Scrolling	: Automatic / Manual / Default
Power Consumption	: <8VA max
Accuracy	: Voltage (L-N / L-L) : $\pm 1.0\%$ of F.S. (For Measuring Voltage >11V For L-L Voltage >35V)
Measuring Parameters	: Voltage (L-L / L-N) (Individual / Average),

### Auxiliary Supply Specifications

Supply Voltage	: 230V $\pm 10\%$ AC, 50 / 60Hz
----------------	---------------------------------

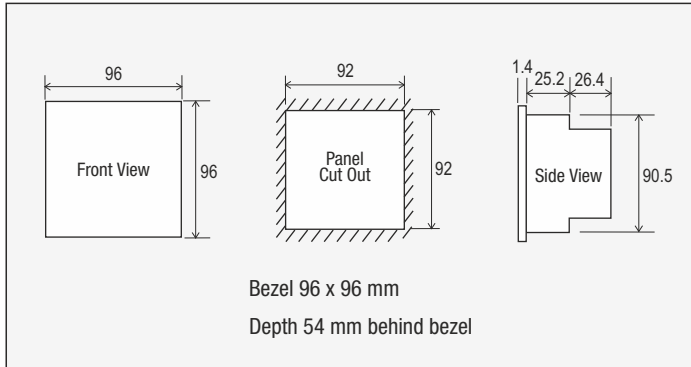
### Environmental Specifications

Temperature	: Operating : $-10^{\circ}$ to $55^{\circ}$ C Storage : $-20^{\circ}$ to $75^{\circ}$ C
Humidity (Non-Condensing)	: Upto 85% RH

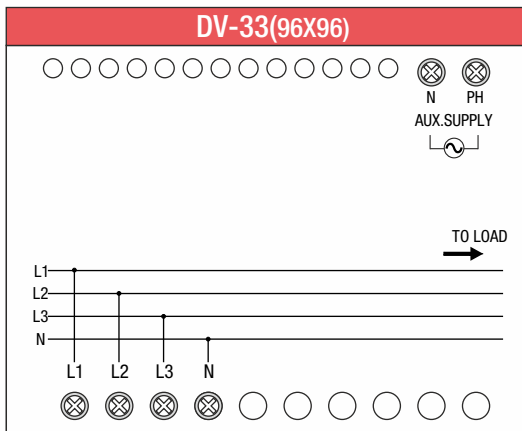
### Mechanical Specifications

Mounting	: Panel Mount
Size	: 96X96mm
Weight	: 300gms
Screw Tightening Torque	: 0.5 NM

## Mechanical Specifications



## Connection Diagram



## Ordering Information

Product Name	Discription
DV-33 (3ROW)	DIGITAL VOLTMETER 3PHASE 3ROW