



96 x 96mm

FEATURES

- 3 Phase (True RMS) voltage
- 3 Phase (True RMS) current
- Frequency
- Run Hour & RPM
- Auto Scrolling

Display Specifications

Display	: 3 rows, 7 segments LED Display
Digits	: 4 digits

Input Specifications

Electrical Connection	: 3Phase-4Wire, 3Phase-3Wire, 1Phase-2Wire
Input Voltage Range	: 20 to 300V AC (Phase to Neutral) 40 to 519V AC (Phase to Phase)
Input Current Range	: Nominal 5A AC (Min-20mA, Max-6A)
Frequency	: 45 to 65Hz
Display Scrolling	: Automatic / Manual / Default
Power Consumption	: <8VA max
Accuracy	: Voltage (L-N / L-L) : $\pm 1.0\%$ of F.S. Current : $\pm 1.0\%$ of F.S. Frequency : $\pm 0.2\%$ For Measuring Voltage >20V For L-L Voltage >40V
Measuring Parameters	: Voltage (L-L / L-N) (Individual / Average), Current (I1, I2, I3) (Individual / Average), Frequency, RPM, On Hrs.

Auxiliary Supply Specifications

Supply Voltage	: 230V ($\pm 10\%$) AC, 50 / 60Hz
----------------	-------------------------------------

Settable Parameters

CT Primary	: 5, 10, 15, 20, 30, 40, 50, 60, 75, 80, 100, 150, 200, 250, 300, 400, 500, 600, 800, 1000, 1200, 1500, 1600, 2000, 2500, 3000, 4000, 5000
CT Secondary	: 5A Fixed

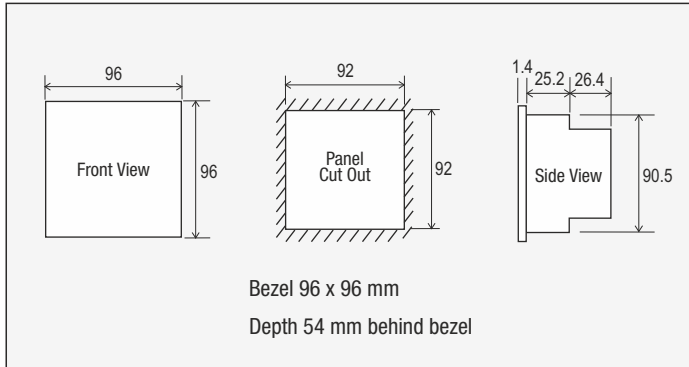
Environmental Specifications

Temperature	: Operating : -10° to 55° C Storage : -20° to 75° C
Humidity (Non-Condensing)	: Upto 85% RH

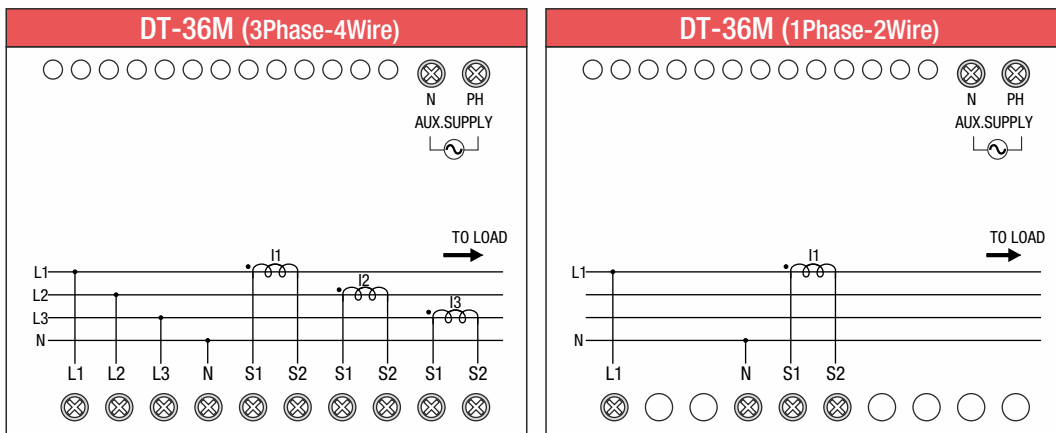
Mechanical Specifications

Mounting	: Panel Mount
Size	: 96X96mm
Weight	: 300gms
Screw Tightening Torque	: 0.5 NM

Mechanical Specifications



Connection Diagram



Ordering Information

PRODUCT NAME	DESCRIPTIONS
DT36M-3PH	VAF METER DT36M 3PHASE
DT36M-1PH	VAF METER DT36M 1PHASE