



96 x 96mm

FEATURES

- 1CT-1 phase sensing
- Intelligent Algorithm which Automatically switches between capacitor banks.
- 4,6,8,12 steps.
- Auto detection of kVAr values.
- Universal Auxillary supply.

Display Specifications

| | |
|--------|------------------|
| Type | : 7 Segment LED |
| Digits | : 4 digits 1 Row |

Input Specifications

| | |
|---------------------|------------------------------------|
| Rated Input Voltage | : 40-300V AC (L-N) |
| Rated Input Current | : Nominal 5A/AC (Min 50mA, Max 6A) |
| Frequency | : 45-65 Hz |
| Burden | : <8VA |
| Wiring Input | : L-N |
| Accuracy | : Power factor $\pm 1.0\%$ |

Settable Parameters

| | |
|------------|-------------------------------|
| CT Primary | : 5A or 1A (Factory Settable) |
|------------|-------------------------------|

Output Specifications

| | |
|-----------------|--|
| Output Contacts | : NO / NC One common point Max fuse 6A |
| Steps | : Upto 12 steps (Max) |
| Relay Contact | : 5A @ 230VAC (Max) |

Auxiliary Supply Specifications

| | |
|---------------------|-------------------|
| Input voltage range | : 85 - 270V AC/DC |
| Consumption | : 7VA max |
| Frequency | : 50-60 Hz |

Control Specifications

| | |
|--------------------------|-----------------------|
| Target PF | : Units (Already Set) |
| Control Sensitivity | : 5 to 100% |
| Discharge & Reconnection | : .020 sec (Fixed) |
| Control Mode | : Automatic |

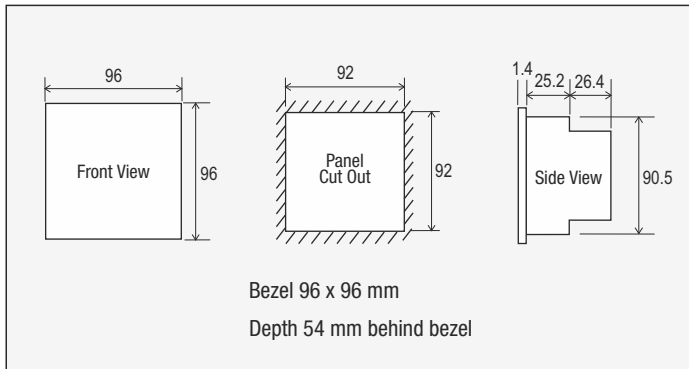
Environmental Specifications

| | |
|----------------------------|--------------------------------------|
| Temperature | : Operating Temperature : 0° to 60°C |
| | : Storage Temperature : -20° to 60°C |
| Humidity (non- Condensing) | : 0% to 95% |

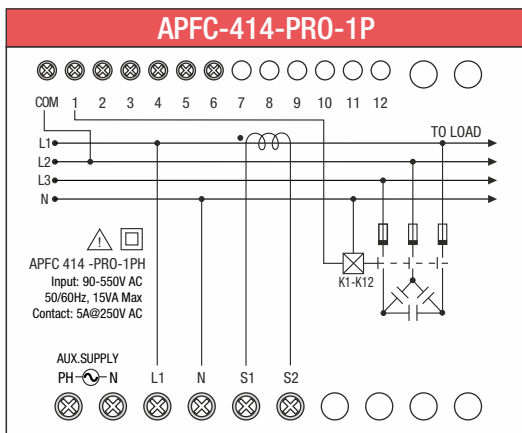
Mechanical Specifications

| | |
|-------------------------|---------------|
| Mounting | : Panel Mount |
| Size | : 96X96mm |
| Weight | : 300gms |
| Screw Tightening Torque | : 0.5 NM |

Mechanical Specifications



Connection Diagram



Ordering Information

| Product Name | Discriptions |
|-------------------------|--|
| APFC414-1CT-PRO-1PH-4R | APFC 414-PRO 96X96 1CT 1PH 4 STAGE-230V |
| APFC414-1CT-PRO-1PH-6R | APFC 414-PRO 96X96 1CT 1PH 6 STAGE-230V |
| APFC414-1CT-PRO-1PH-8R | APFC 414-PRO 96X96 1CT 1PH 8 STAGE-230V |
| APFC414-1CT-PRO-1PH-12R | APFC 414-PRO 96X96 1CT 1PH 12 STAGE-230V |