



144 x 144mm

## FEATURES

- 3 CT Sensing
- Intelligent Algorithm which automatically switches between various capacitive bank
- Upto 16 stage
- Configurable Alarm Settings
- Alarm Indication on Display
- ModBus- RTU communication

## Display Specifications

Type	: LCD with color backlight
Digits	: 3 lines 3 digits to show electrical parameters

## Input Specifications

Rated Input Voltage	: 11 to 300V AC (L-N) 50 to 520V AC (L-L)
Rated Input Current	: Nominal SAAC (Min-11mA, Max 6A)
Frequency	: 45 - 65Hz
Burden	: <8VA
Accuracy	: Voltage (L-N/L-L)-0.5% Current: 0.5% Frequency: 0.2% Power (kW, kVA, kVA): +1%
Resolution	For Power Factor: 0.001 For Temperature: 0.1 For Voltage, Current, Power: Auto resolution
Display scrolling	: Auto / Manual / Default (Programmable) Scrolling Time: 5 Sec
Measurements	: Power Factor, Power (kW, kVA, kVA), Energy (kWh, kVAh, kVAh), Phase voltage and Phase current, Frequency, Temperature, Up to 31 order Harmonics measurement
Alarm Indications	: 0.8 lag - 0.8 lead : Over Voltage, Under Voltage, Over Hz, Under Hz, THD%, For Amp & Voltage
Resettable Parameters	
CT Primary	: 5A to 5000A AC (Programmable for any value)
CT Secondary	: 1A / 5A AC (Programmable)
PT Primary	: 100V to 500kV AC (Programmable for any value)
PT Secondary	: 100V - 500V AC (Programmable for any value)

## Output Specifications

Output Contacts	: NO, One common point Max fuse 6A
Steps	: 1 to 16 steps
Relay Contact	: 5A @ 250V AC
Alarm Optional	: 1 Alarm optional 5A@250V AC

## Communication

Communication Interface	: RS485 & Modbus RTU
-------------------------	----------------------

## Auxiliary Supply Specifications

Input voltage range	: 90 - 550VAC
Consumption	: 8VA max
Frequency	: 50-60 Hz

## Control Specifications

Target PF	: 0.8 lag - 0.8 lead
Switching program	: Auto / Manual
Control Sensitivity	: 55 to 100%
Step Time	: 1 to 999 sec
Control Mode	: Automatic / Manual

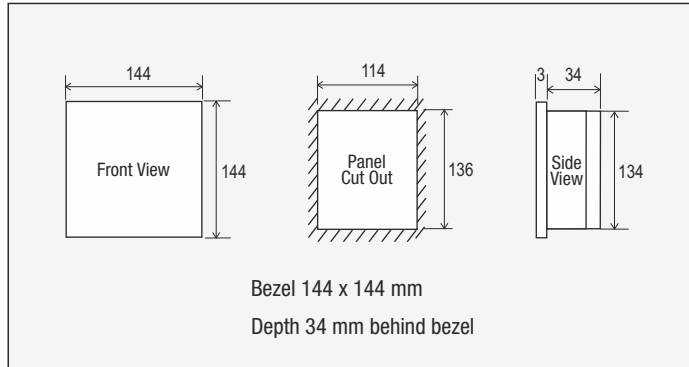
## Environmental Specifications

Temperature	: Operating Temperature : 0° to 60°C : Storage Temperature : -20° to 60°C
Humidity	: Up to 95% RH without moisture consideration

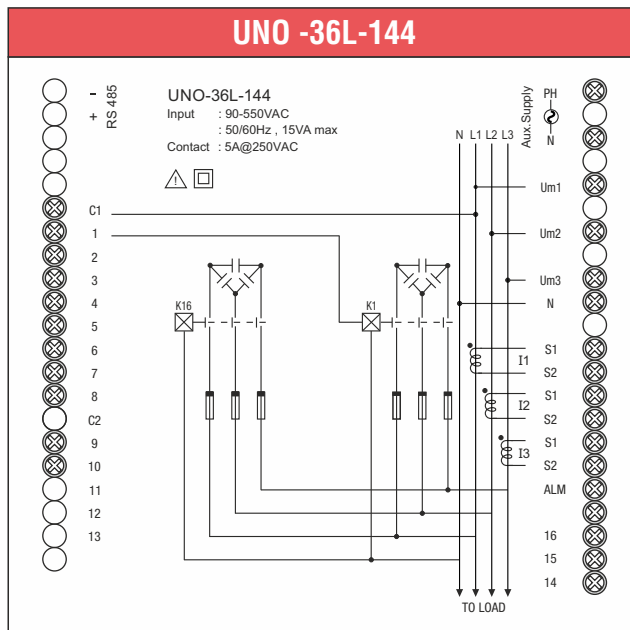
## Mechanical Specifications

Mounting	: Panel Mount
Size	: 144X144mm
Weight	: 550gms(approx)
Screw Tightening Torque	: 0.5 NM

## Mechanical Specifications



## Connection Diagram



## Ordering Information

PRODUCT NAME	DESCRIPTIONS
APFC36L-144-6R	APFC 3CT-144X144 LCD 6 STAGE
APFC36L-144-8R	APFC 3CT-144X144 LCD 8 STAGE
APFC36L-144-12R	APFC 3CT-144X144 LCD 12 STAGE
APFC36L-144-16R	APFC 3CT-144X144 LCD 16 STAGE
APFC36L-144-6R-RS	APFC 3CT-144X144 LCD 6 STAGE- RS485
APFC36L-144-8R-RS	APFC 3CT-144X144 LCD 8 STAGE- RS485
APFC36L-144-12R-RS	APFC 3CT-144X144 LCD 12 STAGE- RS485
APFC36L-144-16R-RS	APFC 3CT-144X144 LCD 16 STAGE- RS485