



96 x 96mm



48 x 96mm

FEATURES

- True RMS Measurement
- CT Primary Programmable upto 5000A AC

Display Specifications

Display	: Single Row, 7 segment LED Display
Digits	: 4 digits
Digit Height	: 0.56" (14.2mm)
Display Range	: 5-5000A (Selectable)

Input Specifications

Electrical Connection	: 1Phase-2Wire
Input Type	: AC
Input Current Range	: 50mA - 5A
Continuous Max. Input Rating	: 6.2A
Frequency	: 50 / 60Hz
Resolution	: 0.001, 0.01, 0.1, 1A (Depending upon CT Primary Setting)
Accuracy	: 1.0% of CT Primary Setting
Input Burden	: 0.5 VA at 5A
Sampling Rate	: 3 samples / second
Dielectric withstand Voltage	: 2kV AC between auxiliary supply & measuring input.
Rated Impulse withstand Voltage	: 3.5kV (1.2/50pS)

Auxiliary Supply Specifications

Auxiliary Supply	: 230V AC ($\pm 10\%$), 50 / 60Hz (Default) OR 110V AC 10% (Optional)
Power Consumption	: 5VA max

Settable Parameters

CT Primary	: 5, 10, 15, 20, 30, 40, 50, 60, 75, 80, 100, 150, 200, 250, 300, 400, 500, 600, 800, 1000, 1200, 1500, 1600, 2000, 2500, 3000, 4000, 5000
CT Secondary	: 5A Fixed

Environmental Specifications

Temperature	: Operating: -10° to +55°C (14° to 131°F) : Storage: -20° to 75°C (-4° to 167°F)
Humidity (Non-Condensing)	: 0% to 95%

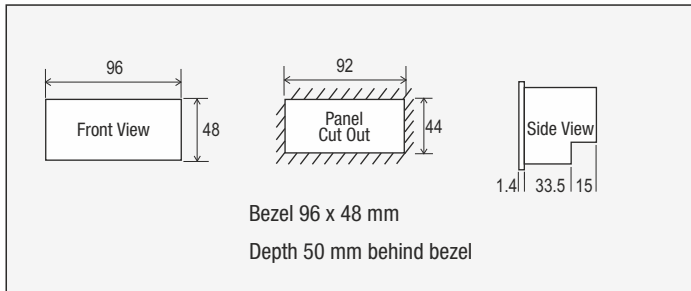
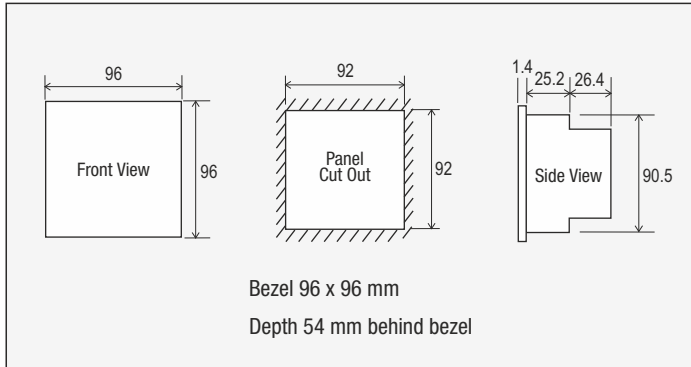
Mechanical Specifications (96X96)

Mounting	: Panel Mount
Size	: 96X96mm
Weight	: 300gms
Screw Tightening Torque	: 0.5 NM

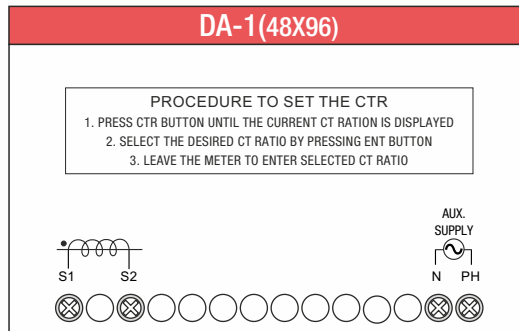
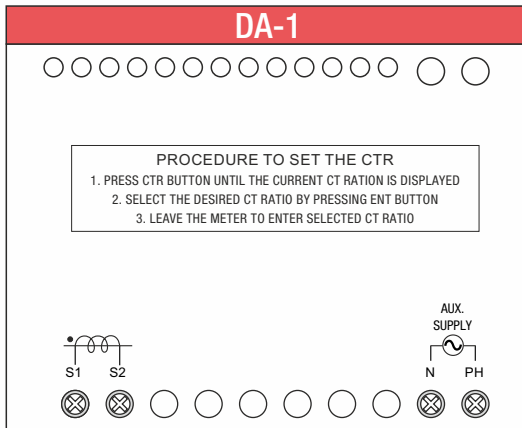
Mechanical Specifications (48X96)

Mounting	: Panel Mount
Size	: 48X96mm
Weight	: 250gms
Screw Tightening Torque	: 0.5 NM

Mechanical Specifications



Connection Diagram



Ordering Information

PRODUCT NAME	DESCRIPTIONS
DA-1 (96)	DIGITAL AMMETER 1PHASE 96X96
DA-1 (48)	DIGITAL AMMETER 1PHASE 48X96